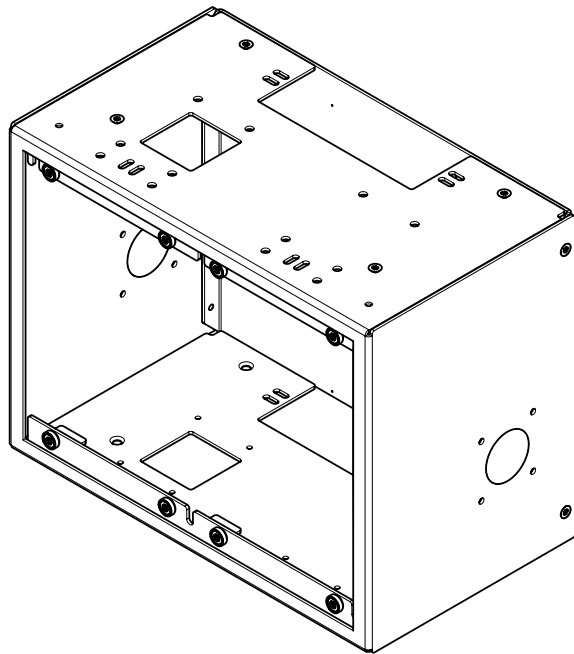


Installation Guide

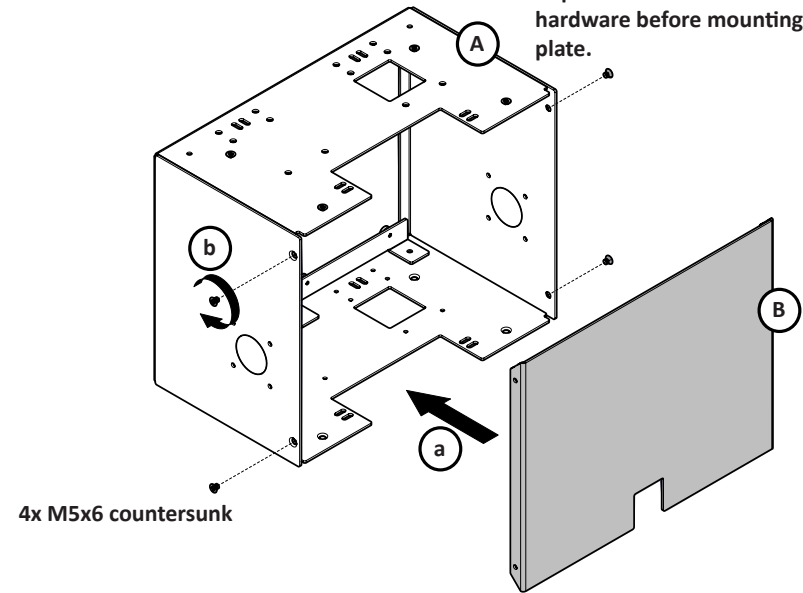
SPSK200

SCO Kiosk Center module



B Close center module

Important: Install all needed hardware before mounting the back plate.



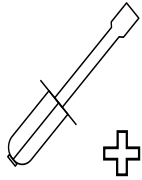
CAUTION

This product is intended for indoor use only.

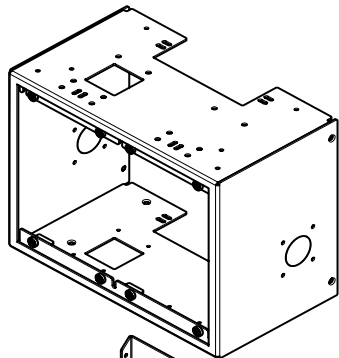
If these installation instructions are not followed correctly, it could lead to product failure and potential personal injury.

Ergonomic Solutions/SpacePole cannot be held responsible for any failure or injury, if the installation instructions are not followed correctly.

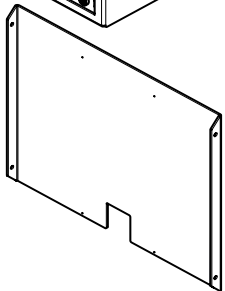
Tool list



Box content



x1 Center module (A)

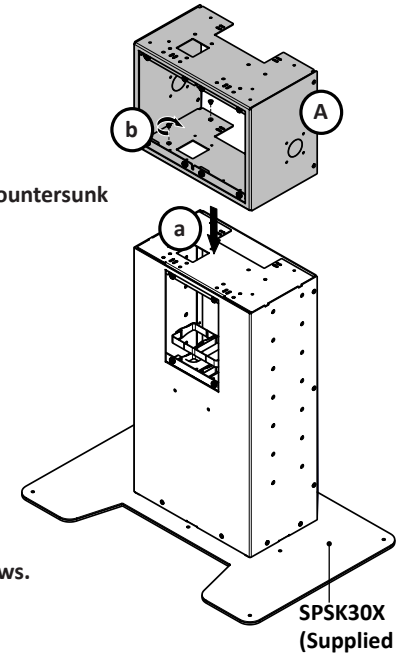


x1 Back plate (B)

x8 M5x6 countersunk

A1 Assemble center module and floorstand

4x M5x6 countersunk



a Align center module with the floorstand module.

b Secure it with the supplied screws.

SPSK30X
(Supplied separately)

A2 Install to counter



Fixings not included:
It is the responsibility of the installers to ensure the correct fixings are used for the specific type of counter

